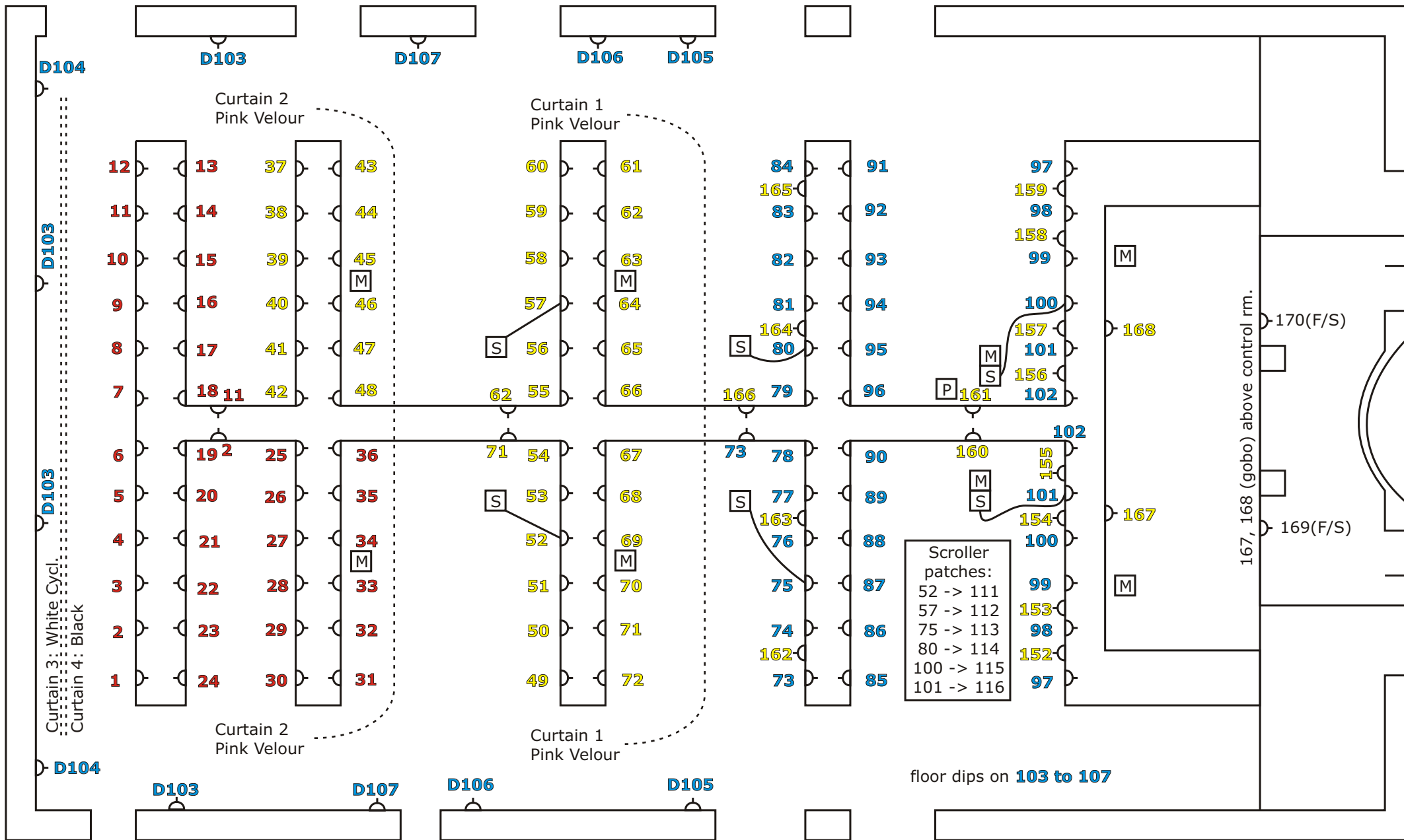


Approx scale (metres)

[M] = MAC250 [S] = Scrollers [P] = DATA PROJECTOR



	Ch	Pos	O/P	Add	Binary	Fixture Library
Scrollers	111	DSR	1201			
	112	DSL	1202			
	113	CSR	1203			
	114	CSL	1204			
	115	USR	1205			
	116	USL	1206			
					01 02 04 08 16 32	
812 (M2 Roboscan)	121	DSR	1001 – 1107	1	1 0 0 0 0 0	Fixture Lib No [02]
	122	DSCR	1008 – 1014	8	0 0 0 1 0 0	ch.20 Reset
	123	DSCL	1015 – 1021	15	1 1 1 1 0 0	ch.2 Colour
	124	DSL	1022 – 1028	22	0 1 1 0 1 0	ch.8 Gobo ch.3 Pan ch.4 Tilt ch.17 Speed ch.19 Beam Speed
400 (Robocolour Pro 400)	131	USR	1031 – 1037	31	1 1 1 1 1 0	Fixture Lib No [06]
	132	USL	1038 – 1044	38	0 1 1 0 0 1	ch.20 Reset
	133	CSR	1045 – 1051	43	1 0 1 1 0 1	ch.2 Colour
	134	CSL	1052 – 1058	52	0 0 1 0 1 1	ch.44 Colour 2 ch.8 Gobo ch.17 Speed ch.19 Beam Speed
Mac 250	141	CSR	1401 – 1413	401		Fixture Lib No [08]
	142	CSL	1414 – 1426	414		ch.20 Reset
	143	USR	1427 – 1439	427		ch.2 Colour
	144	USL	1440 – 1452	440		ch.9 Rotating Gobo ch.36 Gobo Index
Mac 250+	145		1453 – 1465	453		ch.6 Focus
	146		1466 – 1478	466		ch.7 Prism ch.3 Pan ch.3x Pan Fine ch.4 Tilt ch.4x Tilt Fine ch.17 Speed ch.19 Beam Speed

New circuits All Blue phase

No	DMX	Position
1	152	House Bar between 97 & 98 SR
2	153	House Bar between 98 & 99 SR
3	154	House Bar between 100 & 101 SR
4	155	House Bar between 101 & 102 SR
5	156	House Bar between 101 & 102 SL
6	157	House Bar between 100 & 101 SL
7	158	House Bar between 98 & 99 SL
8	159	House Bar between 97 & 98 SL
9	160	House Side Bar SR
10	161	House Side Bar SL
11	162	No.1 Bar between 73 & 74
12	163	No.1 Bar between 76 & 77
13	164	No.1 Bar between 80 & 81
14	165	No.1 Bar between 83 & 84
15	166	No.1 Side Bar SL
16	167	Audience SR (Near dimmer packs)
17	168	Audience SL (Near dimmer packs)
18	169	Follow Spot 1 – Control Room
19	170	Follow Spot 2 – Control Room
20	171	House circuit 1 – 1.62k
21	172	House circuit 2 & 3 – 2k
22	173	House circuit 4 – 1k
23	174	House circuit 5 – 2k
24	175	House circuit 6 – 2k